

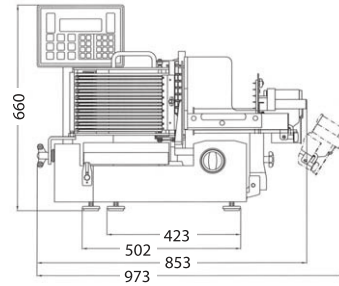
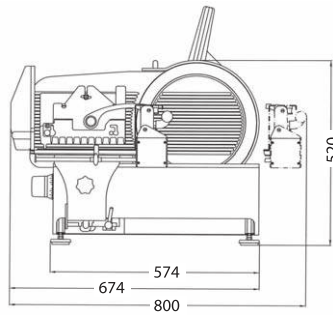
VA 2000



Fully-Automatic Food Slicer

- ▷ Ergonomic design in stainless steel for highest demands.
- ▷ Automatic stacking and shingling.
Simple operation.
- ▷ Variable speed of carriage up to 55 strokes per minute.
- ▷ Quick and easy Cleaning. Manual Operation possible.
- ▷ Maintenance-free gear motor.
Dimension of the blade 330 mm.

VA 2000



Technical Data

Counter Space required	(L x W): 574 x 502 mm
Overall Dimensions	(L x W x H): 674 x 853 x 490 mm
Weight	app. 75 kg
Voltage	3-phase or 1-phase, voltage and cycles as required power consumption 0,6 kW
Power Consumption	0,6 kW
Sound Level	<70 dB (A)
Blade	300 mm, 6, hollow-ground, hard chromed, stay sharp quality
Slice Thickness	0 bis 10 mm (infinitely variable)
Cutting Length	255 mm
Cutting Height	180 mm
Capacity Speed of Carriage	variable, app. 25 - 55 strokes per minute
Precise Slicing	Because of separate gear motor for blade rotation. Therefore 98% power transmission by direct gear drive.

Stacking



Maximum height of stack 75 mm

Shingling



1 - 9 layers automatically, shingling distance can be pre-set

Manual Operation

For special slicing procedures the machine can be manually operated by simply turning a lever at the carriage.

Security and Hygiene

Model VA 2000 conforms to legal security and hygienic requirements. Sharpening device is removable. Carriage can be tilted aside for cleaning. Chain frame, stacking device and receiving plate are removable. Machine body and all metal parts in contact with food are **made of stainless steel**.

Special Executions

Tefloned Execution

Ideal for slicing cheese. Carriage thickness plate, blade guard and blade are tefloned. Easy and precise slicing, no smearing and no sticking. Incrustations will strictly be avoided. Further advantage: quick and easy to Clean with a dry cloth.

All other technical details as VA 2000.

With table for Slicer, immovable

Made of stainless steel.

Overall Dimension

(L x W x H): 740 x 650 x 670 mm

With table for Slicer, movable

Made of stainless steel.

Overall Dimension

(L x W x H): 740 x 650 x 670 mm